

LUBRICATION GUIDE

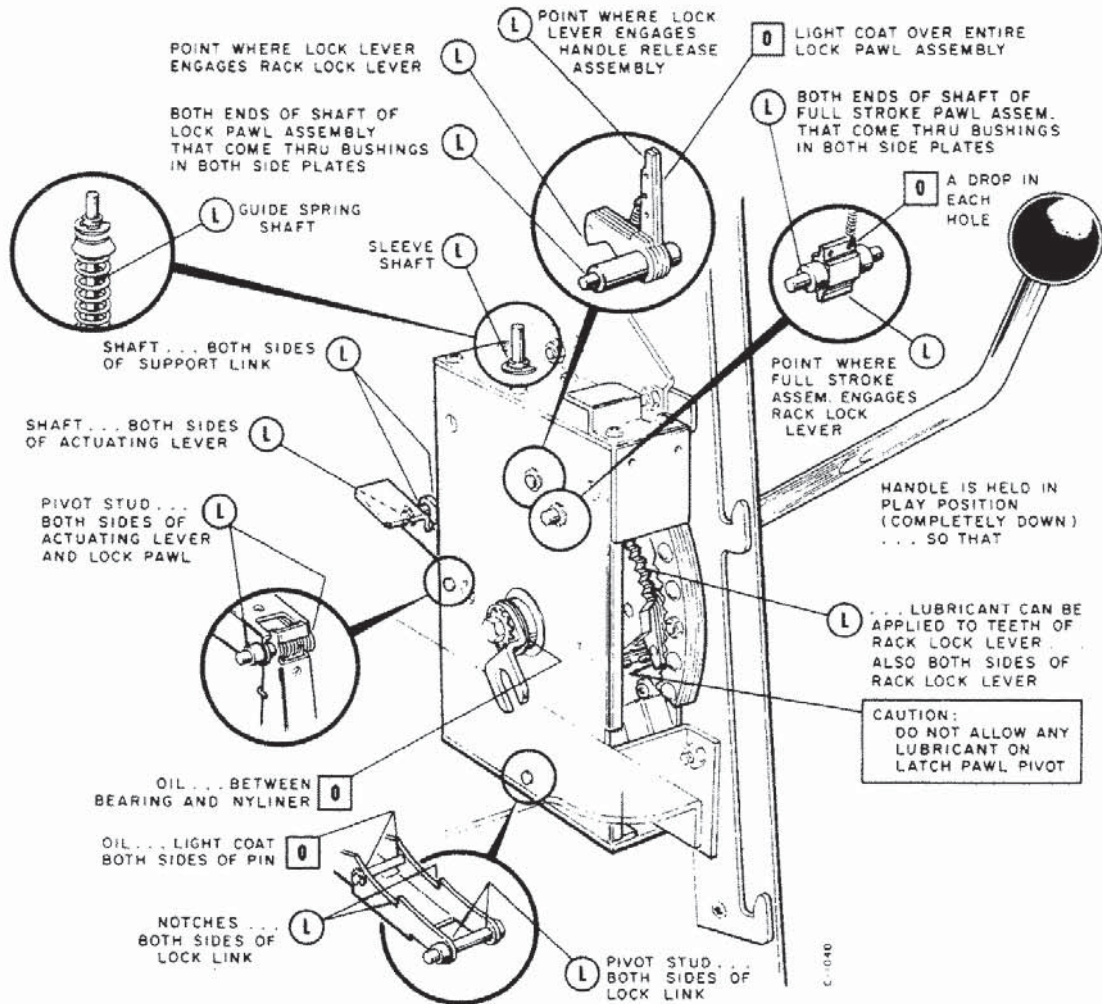


Figure 13. Handle Mechanism

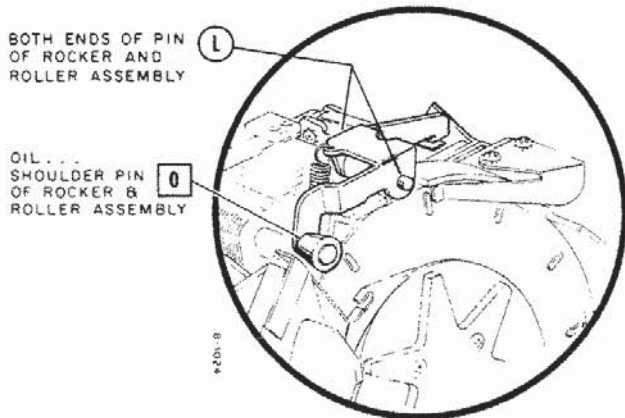


Figure 14. Hopper & Rocker Assembly

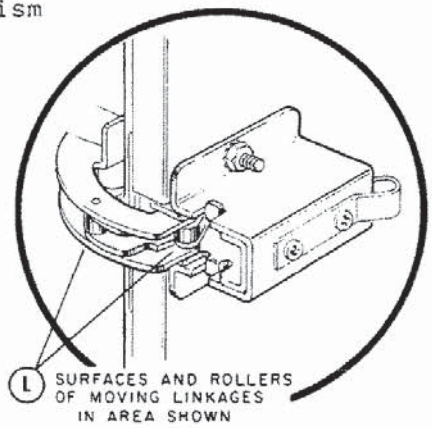


Figure 15. Front Door Hinge